

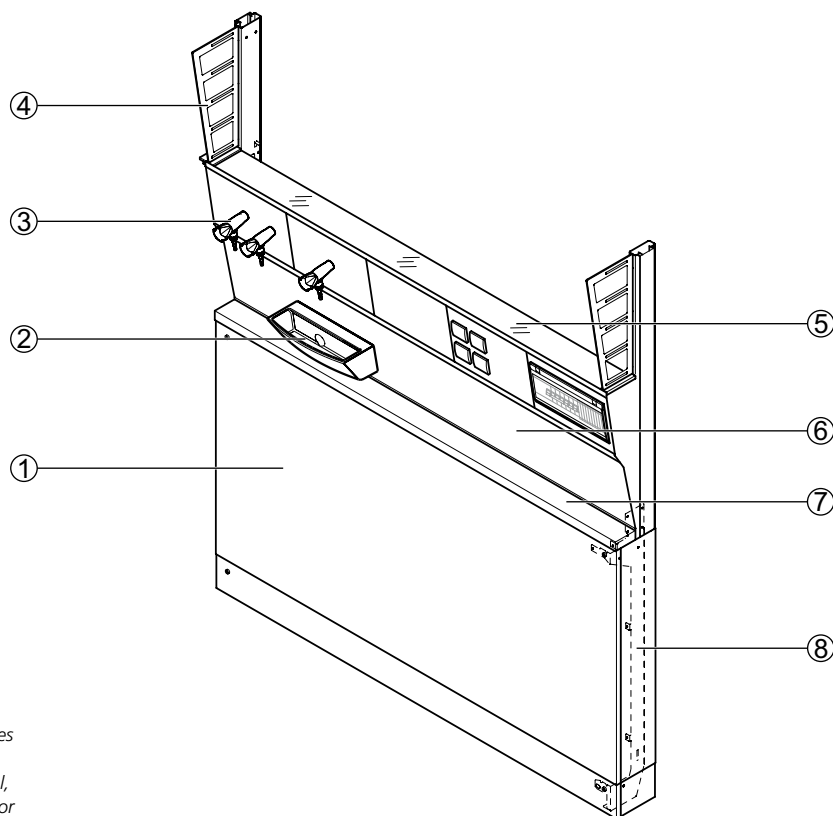
## Service spine

### Intended use

- For floor-mounted services supply of:
  - ▶ Wall benches
  - ▶ Double work benches
  - ▶ Laboratory equipment on mobile tables or underbench constructions
  - ▶ Floor-mounted laboratory equipment
- Design versions for genetical engineering areas
- Modular fastening of cell add-on parts to the multipurpose uprights, e.g. glass shelves and OSB board, overbench cabinets, scaffold points, etc.
- Tool-free installation of supplementary service duct add-on parts such as pegboard, monitor arm, pipette holder, paper towel dispenser, universal storage area, etc.

### Design

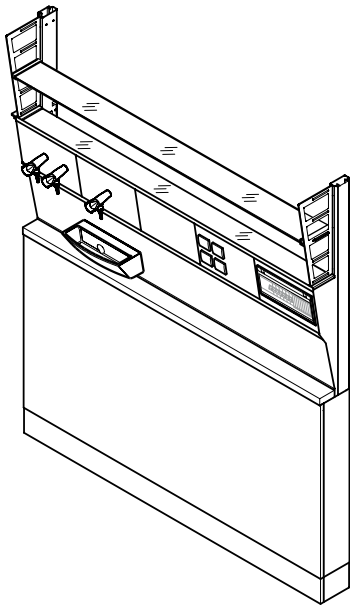
#### Service spine for wall bench



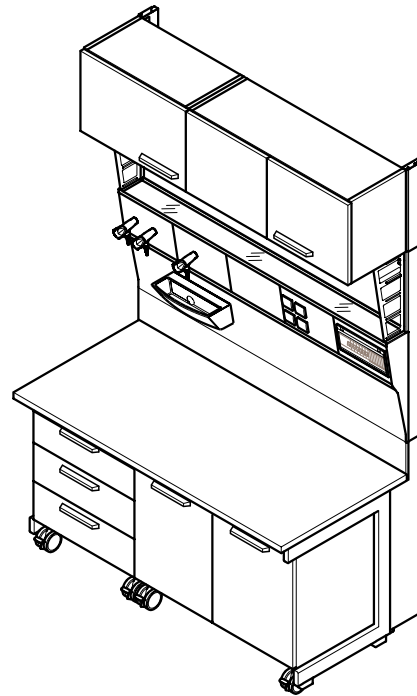
- 1 Knee-hole cover panel
- 2 Sink module
- 3 Service panel with corner valves
- 4 Pillar for cell add-on parts
- 5 Service duct with service panel, glass shelf and accessory rail for add-on parts
- 6 Fascia panel of the service spine
- 7 Cantilever
- 8 Multipurpose upright

## Service spine

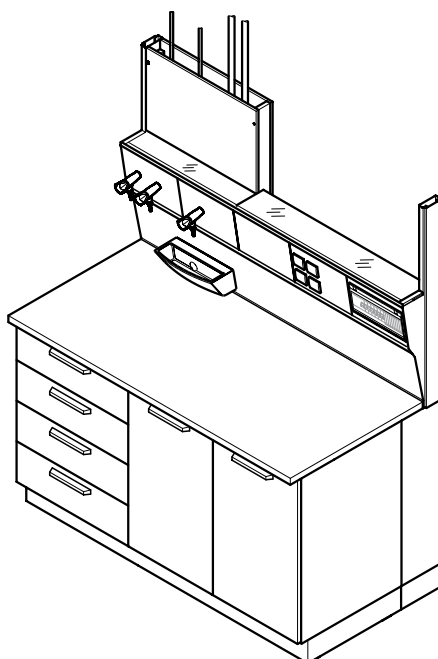
Service spine for wall bench with cantilever and 2 glass shelves, working height 900 mm



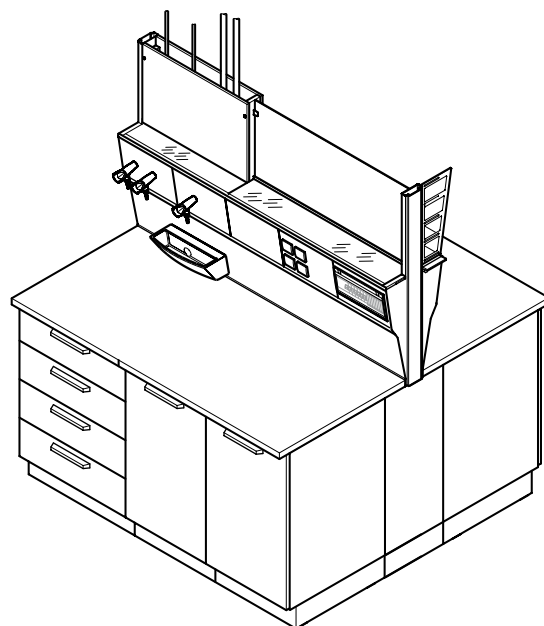
Service spine for wall bench with C-frame, underbench units on castors and overbench cabinet, working height 750 mm



Service spine for wall bench with underbench units on plinth and media supply from above, working height 900 mm

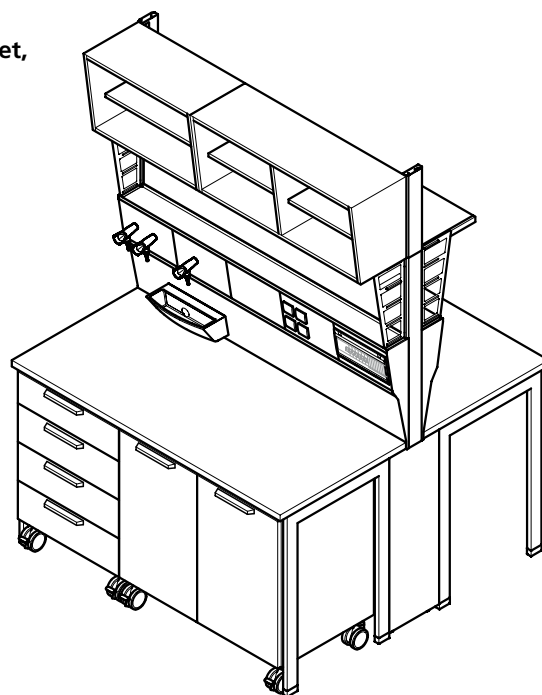


Service spine for double bench with underbench units on plinth and media supply from above, working height 900 mm



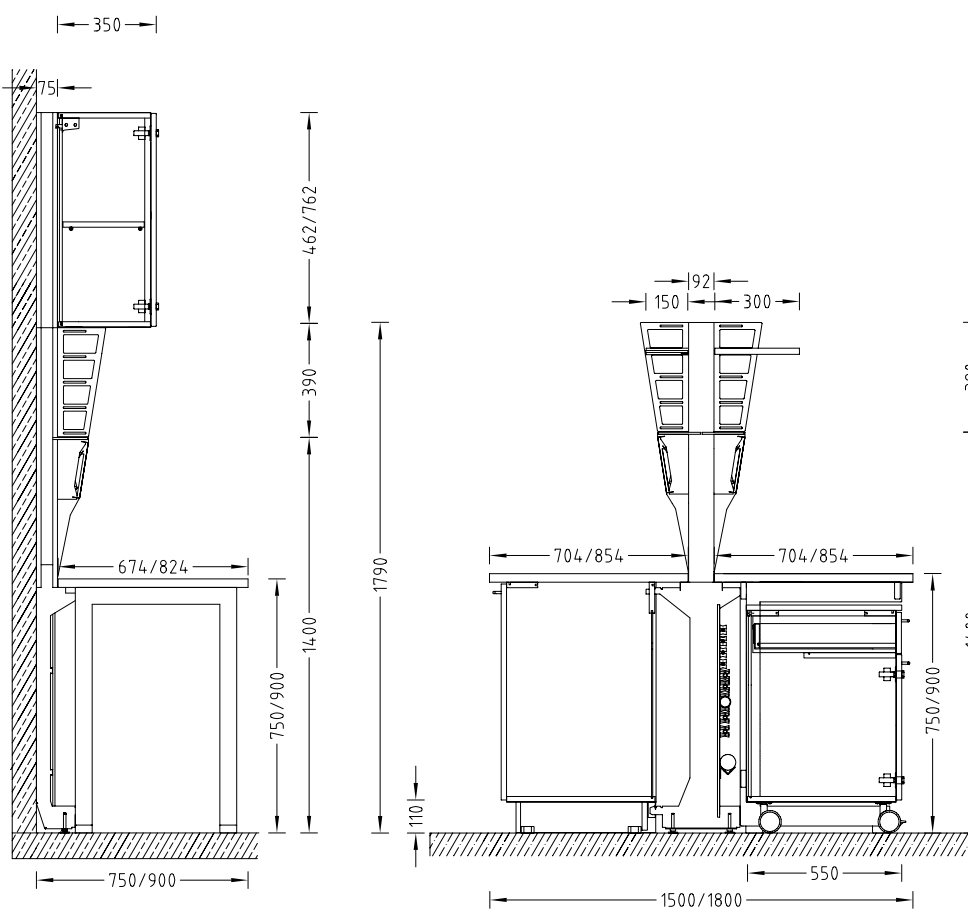
## Service spine

Service spine for double bench with H-frame, underbench units on castors and overbench cabinet, working height 900 mm



### Dimensional drawing

Service spine for wall bench/double bench



## Technical data

Dimensions					
Width [mm]	600	900	1200	1500	1800
Depth, service spine for wall bench [mm] (incl. wall bench)	75 (750/900)				
Depth, service spine for double bench [mm] (incl. double bench)	92 (1500/1800)				
Height [mm]	1790				
Working height [mm]	750 900				
Height, pillar extension [mm] for overbench cabinet, height 460 mm	462				
Height, pillar extension [mm] for overbench cabinet, height 760 mm	762				
Height, pillar extension [mm] up to ceiling height 3500 mm	Depending on ceiling height				
Service panel, width x height [mm]	300 x 200				
Glass shelf, width x depth [mm]	Width, service spine x 150				
Shelf of OSB board, width x depth [mm]	Width, service spine x 300				

Load bearing capacity	
Glass shelf [kg]	20
Shelf of OSB board [kg]	30
Scaffold points [kg]	5

Design characteristics	
Modular design	Wall bench can be equipped on one side, double bench can be equipped on two sides Multipurpose uprights can be extended with service duct, e.g. for overbench cabinets Worktop, cantilever and underbench unit can be replaced without dismantling the installations Grid-independent mounting of accessories
Scaffold points ø [mm]	12 to 13
Number of service panels	Depending on the width of the service duct

Electrics	
Electrical supply	Sockets in the service panel
Fuse box	Optional

Sanitary technology	
Sanitary supply	Service panel with take-off valves for vacuum, gases and/or waters The supply pipes and cables are routed underneath the worktop or cantilever