

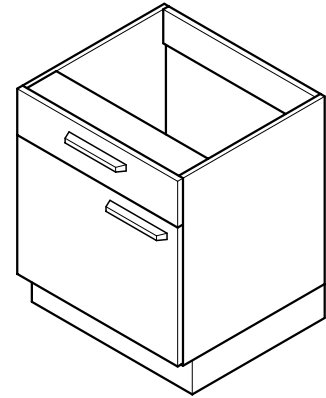
Underbench units

Underbench unit on plinth

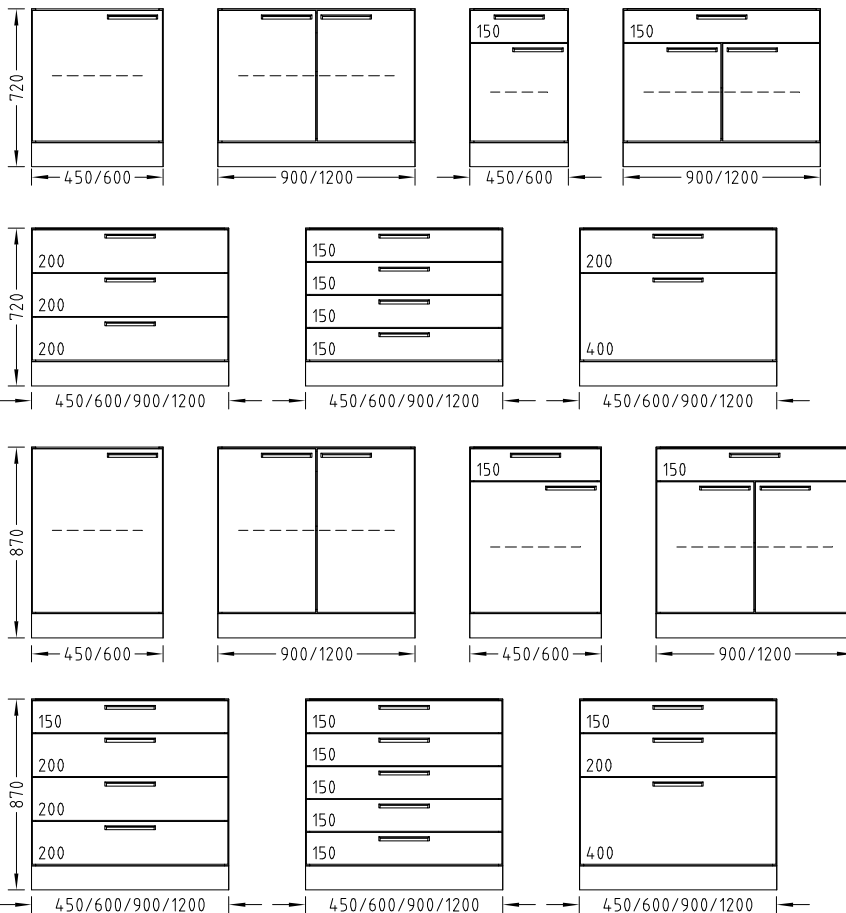
Intended use

- For storing equipment and chemicals in acc. with EN 14727
- For working heights of 750 mm and 900 mm
- Not suitable for storing flammable liquids, gas cylinders and self-igniting or self-decomposing substances
- Not suitable for storing acids and alkalis

Design



Variants



Underbench units

Underbench unit on plinth

Technical data

Dimensions				
Width [mm]	450	600	900	1200
Depth [mm]	550			
Overall height [mm]	720 870			
Height, drawers [mm]	150 200 400 Combination possibilities see variants			
Height, plinth [mm]	110			

Load bearing capacity	
Per shelf/drawer [kg]	30

Design characteristics	
Construction	For working height 750 and 900 mm Hinged doors with 270° hinges Drawers, fully extensible Open at the top, rear panel can be removed Shelf, height-adjustable Without doors as a rack 4 height-adjustable feet
Combination possibilities	See variants
Handle	Handle bar <i>SCALA</i> U handle, stainless steel
Drawers with change-pull-out catch	Optional
Full-height drawers	Optional
Soft stop for drawer	Optional
Extract air spigot	Optional
Closing	Optional

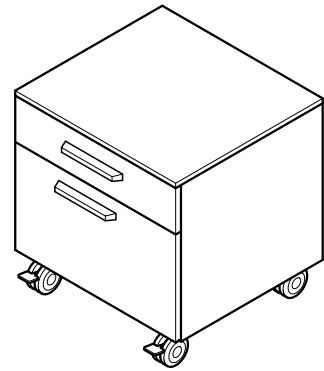
Underbench units

Underbench unit on castors

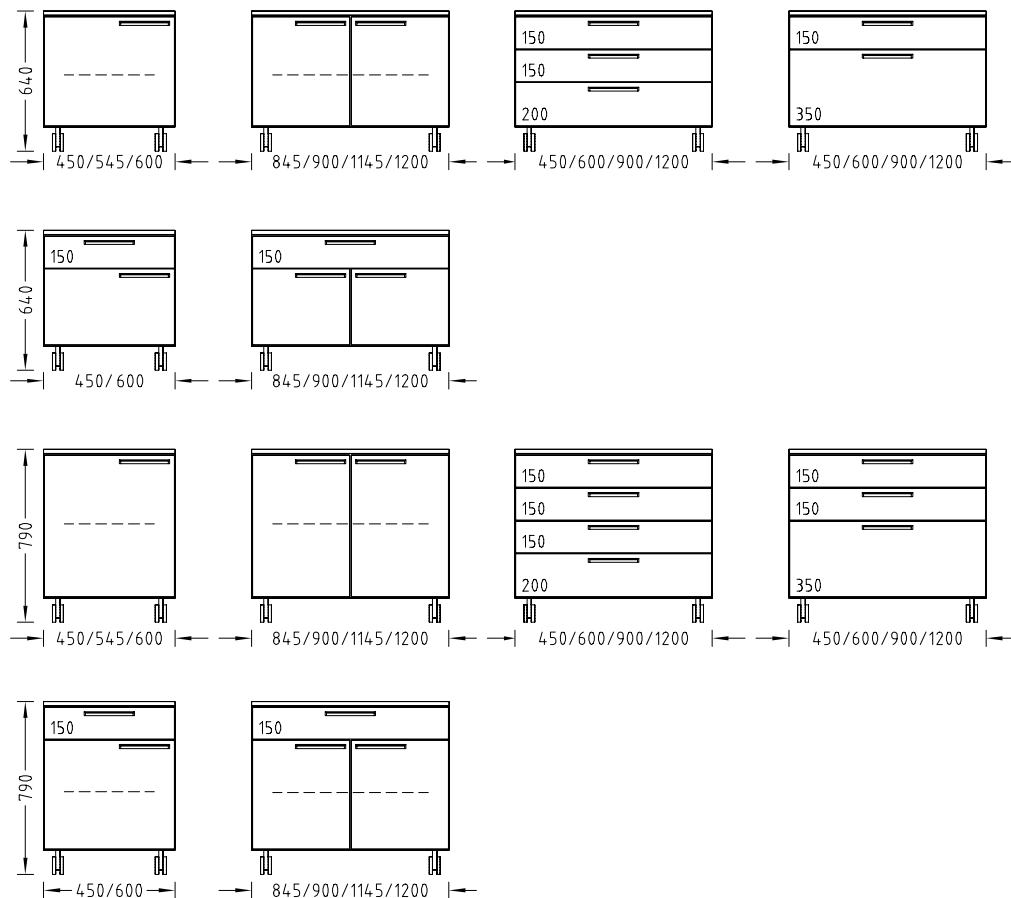
Intended use

- For storing equipment and chemicals flexibly in acc. with EN 14727
- For working heights of 750 mm and 900 mm
- Not suitable for storing flammable liquids, gas cylinders and self-igniting or self-decomposing substances
- Not suitable for storing acids and alkalis

Design



Variants



Underbench units

Underbench unit on castors

Technical data

Dimensions							
Width [mm]	450	545	600	845	900	1145	1200
Depth [mm]	550						
Overall height [mm]	640 790						
Height, drawers [mm]	150 200 350 Combination possibilities see variants						
Height, castors [mm]	110						

Load bearing capacity	
Per shelf/drawer [kg]	30
Per castor [kg]	70

Design characteristics	
Construction	For working height 750 and 900 mm Hinged doors with 270° hinges Drawers, fully extensible and with change-pull-out catch Shelf, height-adjustable Without doors as a rack Covered at the top, rear panel permanently connected with the carcass 4 swivelling castors, front castors can be locked
Combination possibilities	See variants
Handle	Handle bar SCALA U handle, stainless steel
Soft stop for drawer	Optional
Closing	Optional

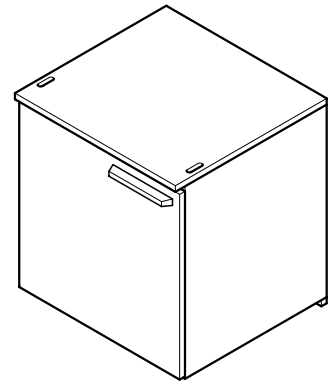
Underbench units

Suspended underbench unit

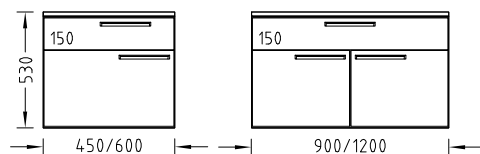
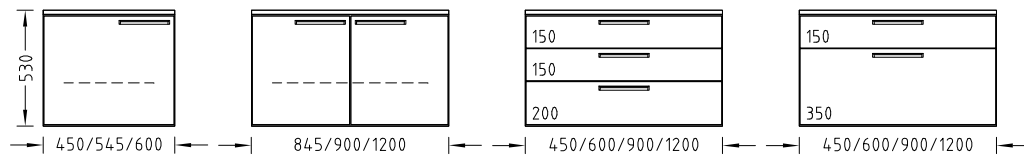
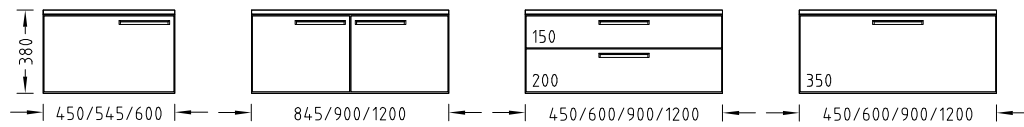
Intended use

- For storing equipment and chemicals flexibly in acc. with EN 14727
- For working heights of 750 mm and 900 mm
- Not suitable for storing flammable liquids, gas cylinders and self-igniting or self-decomposing substances
- Not suitable for storing acids and alkalis

Design



Variants



Underbench units

Suspended underbench unit

Technical data

Dimensions							
Width [mm]	450	545	600	845	900	1145	1200
Depth [mm]	500 (depth of frame 572) 550 (depth of frame 672)						
Height [mm]	380 530						
Height, drawers [mm]	150 200 350 Combination possibilities see variants						

Load bearing capacity	
Per shelf/drawer [kg]	30

Design characteristics	
Construction	For working height 750 and 900 mm 2 fittings for attaching to the profile rail of the bench frame Hinged doors with 270° hinges Drawers, fully extensible Covered at the top, rear panel permanently connected with the carcass Shelf, height-adjustable For C-frame/cantilever bench frame: Can be moved to the sides until it protrudes over the bench grid Hinged doors with 1 shelf at a height of 530 mm At a height of 530 mm without doors as a rack with 1 shelf
Combination possibilities	See variants
Handle	Handle bar <i>SCALA</i> U handle, stainless steel
Drawers with change-pull-out catch	Optional
Soft stop for drawer	Optional
Closing	Optional

Underbench units

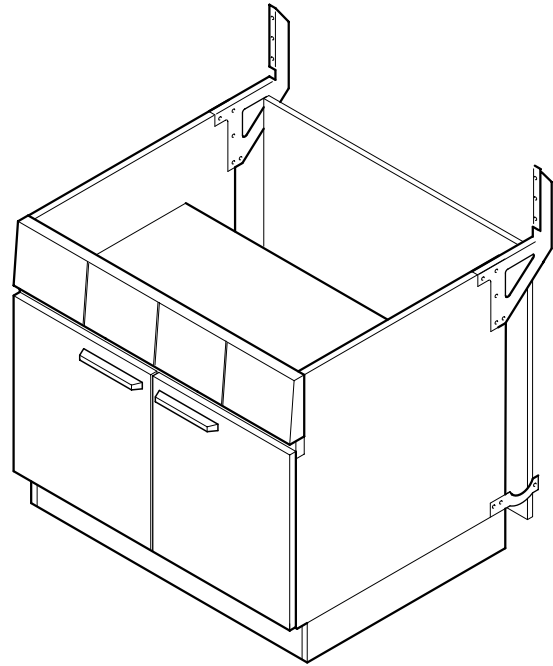
Self-supporting underbench unit for fume cupboards

Intended use

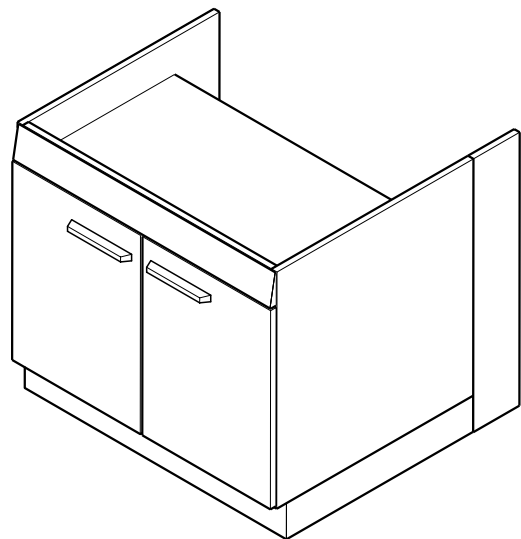
- For storing equipment and chemicals in acc. with EN 14727
- For fume cupboards with rear panel installation and for fume cupboards with side installation
- Not suitable for storing flammable liquids, gas cylinders and self-igniting or self-decomposing substances
- Not suitable for storing acids and alkalis

Design

For fume cupboards with rear panel installation



For fume cupboards with side installation



Underbench units

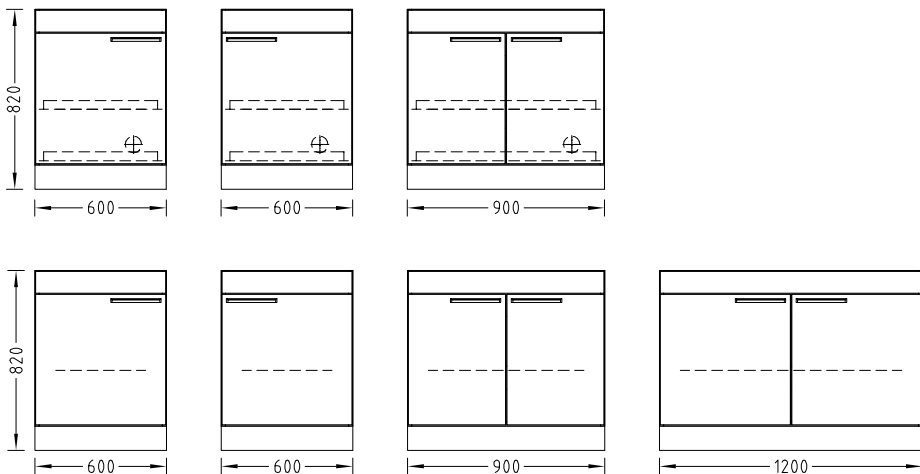
Self-supporting underbench unit for fume cupboards

Variants

For fume cupboards with rear panel installation



For fume cupboards with side installation



Underbench units

Self-supporting underbench unit for fume cupboards

Technical data

Dimensions			
Width [mm]	600	900	1200
Depth [mm]	550		
Overall height [mm]	820		
Height, plinth [mm]	110		

Load bearing capacity	
Per shelf [kg]	30

Design characteristics	
Construction	Hinged doors with 270° hinges Service panel above the storage cupboard for fume cupboards with rear panel installation Closed at the top, rear panel can be removed Shelf, height-adjustable 4 height-adjustable feet
Combination possibilities	See variants
Full-height drawers	Optional
Extract air spigot	Optional
Underbench exhaust	Optional
Acid and alkali equipment	Optional
Closing	Optional
Handle	Handle bar <i>SCALA</i> U handle, stainless steel

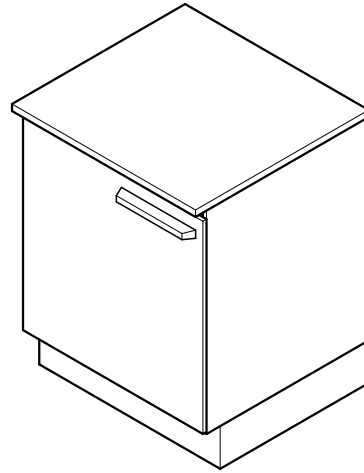
Underbench units

Push-in underbench unit for fume cupboards

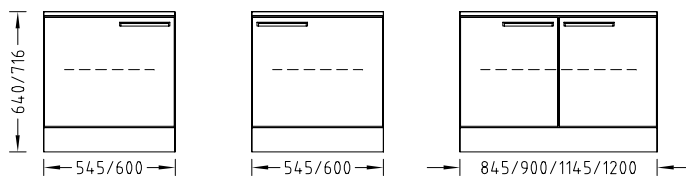
Intended use

- For storing equipment and chemicals in acc. with EN 14727
- For fume cupboards with rear panel installation and for fume cupboards with side installation on a steel support frame
- Not permitted for storing flammable liquids, gas cylinders and self-igniting or self-decomposing substances
- Not permitted for storing acids and alkalis

Design



Variants



Technical data

Dimensions						
Width [mm]	545	600	845	900	1145	1200
Depth [mm]	550					
Overall height [mm], push-in underbench unit for bench-mounted fume cupboards with rear panel installation	640					
Overall height [mm], push-in underbench unit for bench-mounted fume cupboards with side installation	716					
Height, plinth [mm]	110					

Load bearing capacity	
Per shelf [kg]	30

Design characteristics	
Construction	Hinged doors with 270° hinges Closed at the top, rear panel can be removed Shelf, height-adjustable 4 height-adjustable feet
Combination possibilities	See variants
Handle	Handle bar <i>SCALA</i> U handle, stainless steel
Full-height drawers	Optional
Extract air spigot	Optional
Underbench exhaust	Optional
Closing	Optional

Underbench units

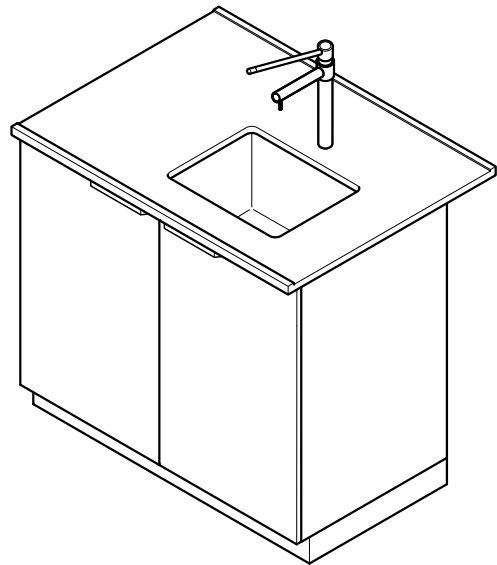
Underbench unit for sinks

Intended use

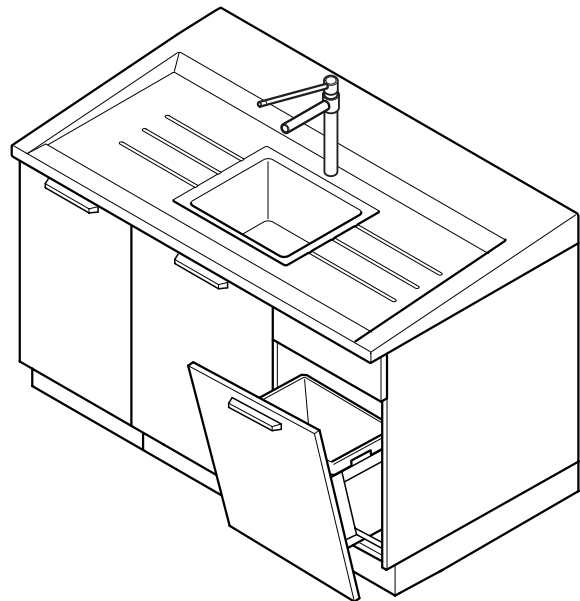
- As an underbench unit for sinks for storing equipment and chemicals in acc. with EN 14727
- Not suitable for storing flammable liquids, gas cylinders and self-igniting or self-decomposing substances
- Not suitable for storing acids and alkalis

Design

Sink with underbench unit for service spines or wall benches



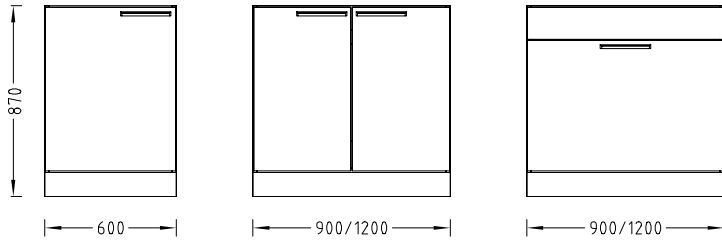
End sink for double benches



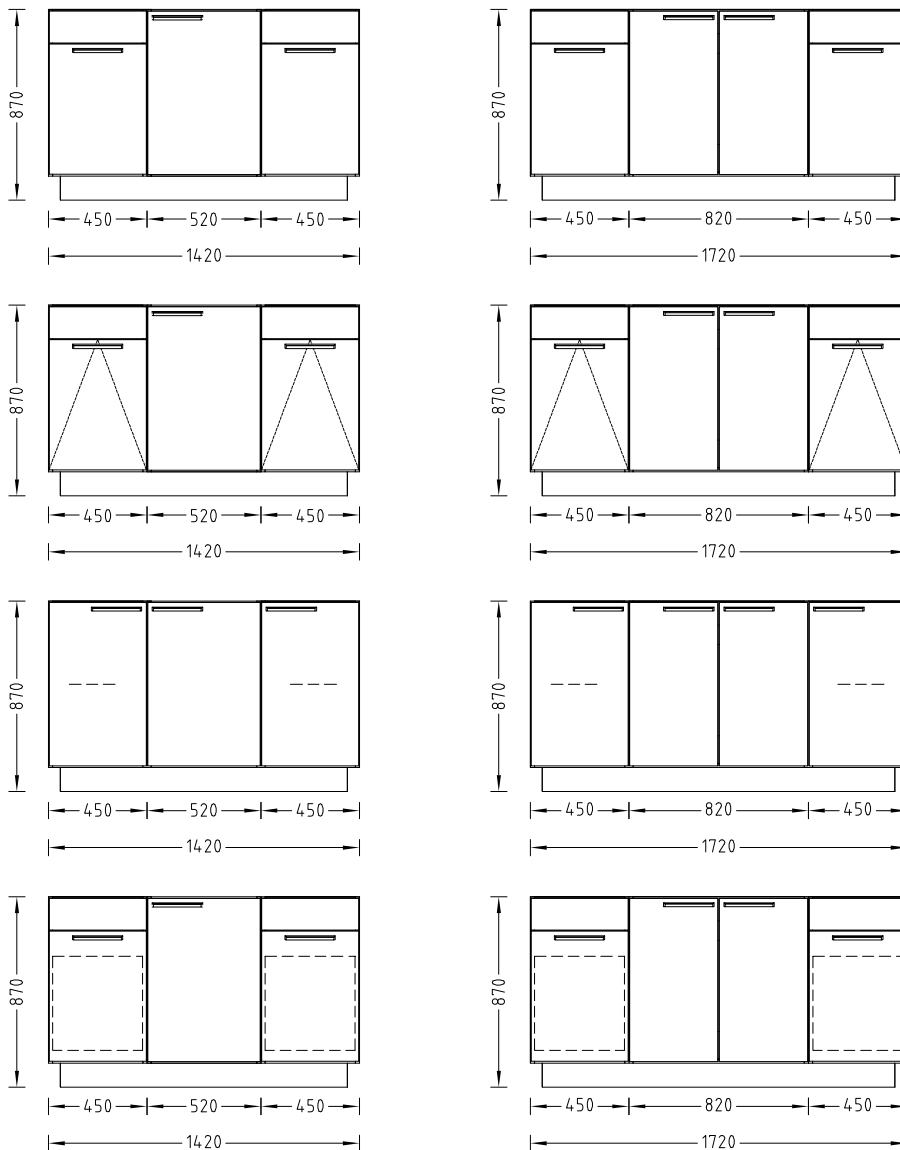
Underbench units Underbench unit for sinks

Variants

Sink with underbench unit for service spines or wall benches



End sink for double benches



Underbench units

Underbench unit for sinks

Technical data

Dimensions					
Width [mm]	600 ¹⁾	900 ¹⁾	1200 ¹⁾	1420 ²⁾	1720 ²⁾
Depth [mm]	550			700	
Overall height [mm]	870				
Height, plinth [mm]	110				

¹⁾ For sinks on service spines or wall benches

²⁾ For end sinks

Load bearing capacity	
Per shelf/drawer [kg]	30

Design characteristics	
Construction	Hinged doors with 270° hinges 4 height-adjustable feet Inclined swivel door with waste bin 30 l Waste bin 2 x 15 l with full-height drawer Waste bin 2 x 35 l with full-height drawer Hinged door(s), full-height drawer Combination possibilities see variants
Handle	Handle bar SCALA U handle, stainless steel
Closing	Optional