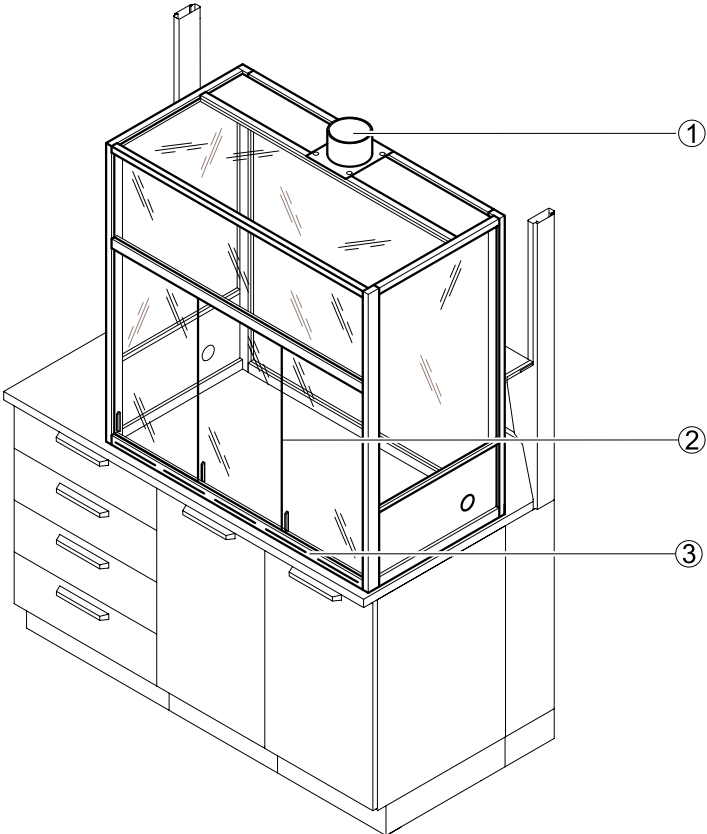


Intended use

- Extraction of thermal loads, gases, fumes, aerosols or dust escaping from the internal workspace of the housing
- Reduced sound emission
- Not suitable for openly breaking down chemicals
- Not suitable as a replacement for bench-mounted fume cupboards in acc. with EN 14175

Design



- 1 Extract air spigot
- 2 Horizontal sash
- 3 Ventilation slots

Technical data

Dimensions	1200	1500	1800	2100
Width [mm]	1200	1500	1800	2100
Depth [mm]			565 715 750 900	
Height [mm]			1450	
Height incl. extract air spigot [mm]			1550	
Height incl. extract manifold [mm]			1750	

Housings

Permanent enclosure

Design characteristics	1200	1500	1800	2100
Construction	Shorter rear panel for using the services if combined with service spines			
Sash	2 horizontal sashes	3 horizontal sashes		
Extract air operation	Connected to on-site extract air system Extract manifold as an option			
Material lock	Optional			
Lighting	Optional			
Shelf board, inside	Optional			
Ventilation technology				
Function display	FAZ as an option			
Connection height [mm] for extract air spigot Ø 125 mm	1550			
Material				
Side panel design, sash	Safety glass			