

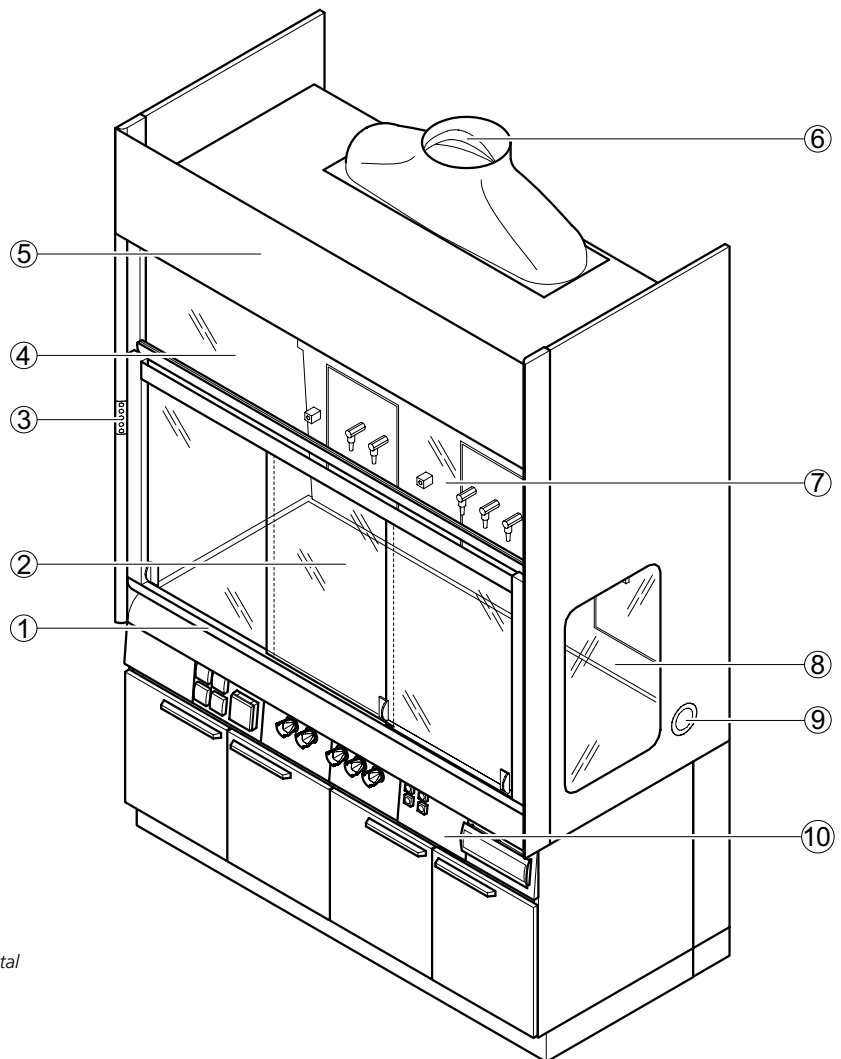
Bench-mounted fume cupboards

Bench-mounted fume cupboard

Intended use

- Protective device for the user, tested in acc. with EN 14175
- Extraction of fumes, aerosols and dust from the internal workspace to prevent dangerous amounts of pollutants from escaping into the laboratory
- To prevent the formation of dangerous potentially explosive atmospheres in the internal workspace
- Protection from splashes of hazardous substances
- Protection from flying particles, bodies or parts escaping from the internal workspace
- General fume cupboards constructed in acc. with EN 14175 are normally not suited for use with radioactive substances or microorganisms
- Not suitable for openly breaking down chemicals
- Service outlets in the rear panel of the internal workspace
- Control units located horizontally on the service rail of the support unit

Design

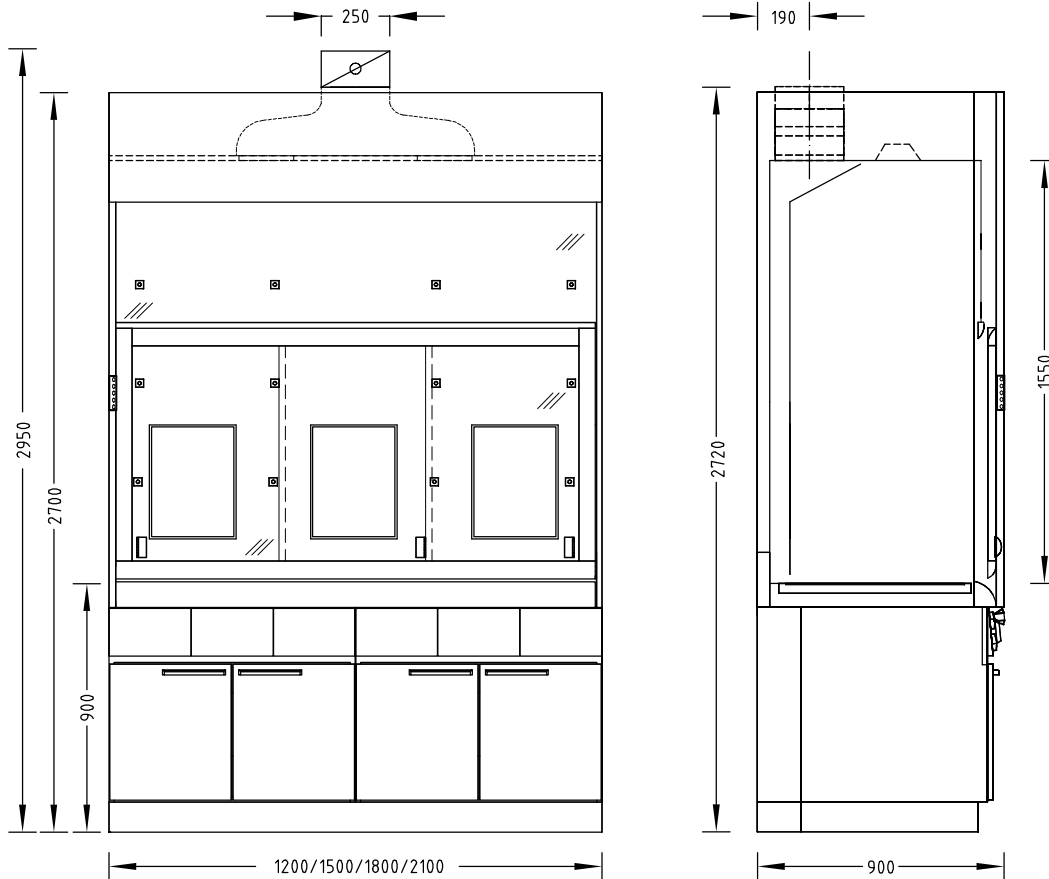


- 1 Sash with handle and horizontal sashes
- 2 Worktop
- 3 FAZ or AC control panel
- 4 Upper sash window
- 5 Removable fascia panel
- 6 Extract manifold
- 7 Baffle with service modules
- 8 Glass pane in the side wall
- 9 Material lock
- 10 Self-supporting underbench unit with support and service panels

Bench-mounted fume cupboards

Bench-mounted fume cupboard

Dimensional drawing



Technical data

Dimensions	1200	1500	1800	2100
Width [mm]	1200	1500	1800	2100
Depth [mm]	900			
Height [mm]	2700			
Clear width, internal workspace [mm]	1150	1450	1750	2050
Clear height, internal workspace [mm]	1550			
Working height [mm]	900			

Weight	1200	1500	1800	2100
Without installation [kg]	Approx. 250	Approx. 300	Approx. 350	Approx. 400

Bench-mounted fume cupboards

Bench-mounted fume cupboard

Design characteristics	1200	1500	1800	2100
Supporting construction	Self-supporting underbench units or H-frame with push-in underbench units			
Sash	2 horizontal sashes		3 horizontal sashes	
Side panel of the fume cupboard	Glass pane on the left and/or right as an option; not with stoneware internal lining Material lock on the left and/or right as an option; not with stoneware internal lining			
Number of devices for scaffold points, ø 12 to 13 mm	9		12	
Service modules	2		3	

Electrics	
Electrical supply	External sockets in service panels Internal sockets in service modules
Fuse box	Optional
Sash controller SC	Optional

Sanitary technology	
Sanitary supply	Service modules with take-off valves for vacuum, gases and/or waters and integrated sink (PP) as an option

Ventilation technology	1200	1500	1800	2100
Minimum air exchange rate [m ³ /h] ¹⁾	480	600	720	840
Function display	FAZ			
Airflow damper, constant	Airflow-Controller AC			
Airflow damper, variable	Airflow-Controller AC			
Detector of sash position	Only variable with Airflow-Controller AC			
Connection height [mm] for FAZ with extract manifold ø 250 mm	2720			
Connection height [mm] for FAZ with extract manifold ø 315 mm ²⁾	2830			
Connection height [mm] for AC with extract manifold ø 250 mm	2950			
Connection height [mm] for AC with extract manifold ø 315 mm ²⁾	3070			
Underbench exhaust	As an option, depending on requirements and regulations			

¹⁾ All air volume specifications refer to an opening height of the sash window of 500 mm (test opening in acc. with EN 14175) and the maximum tracer gas values recommended by German Standard (BG Chemie). Shown rates correspond to a face velocity of 0.24 m/s. For other design face velocities, please contact your Waldner sales representative.

²⁾ In order to minimise noise and pressure losses, for air volumes >1000 m³/h Waldner recommends using the extract manifold with a connection diameter of 315 mm.

A maximum admission pressure of 600 Pa should not be exceeded in the case of fume cupboards with airflow dampers. The indicated minimum air exchange rates were determined under specified test conditions in acc. with EN 14175-3. These minimum air exchange rates must be adapted when dimensioning the ventilation system
If on-site extract air monitoring systems or airflow dampers are used, the required air volumes may be different. The operating limitations must be agreed upon with Waldner.

Material/surface	
Worktop	Stoneware Polypropylene Epoxy Stainless steel
Internal lining	Melamine resin facing Solid grade laminate Stoneware

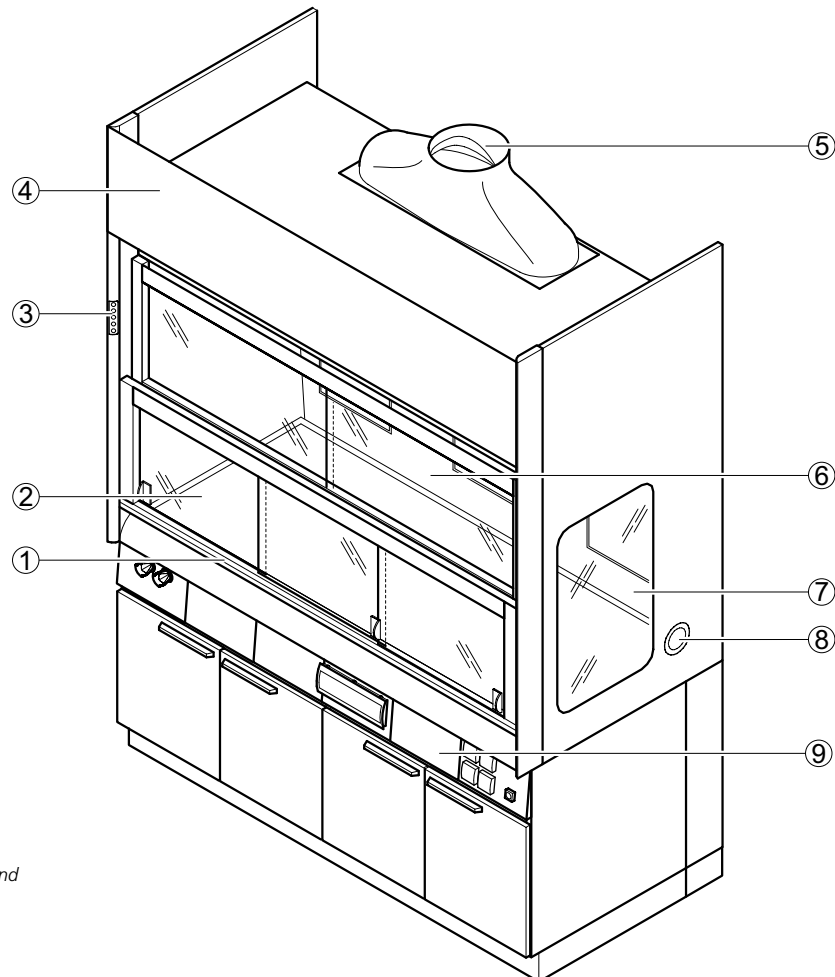
Bench-mounted fume cupboards

Low ceiling bench-mounted fume cupboard

Intended use

- Protective device for the user, tested in acc. with EN 14175
- Extraction of fumes, aerosols and dust from the internal workspace to prevent dangerous amounts of pollutants from escaping into the laboratory
- To prevent the formation of dangerous potentially explosive atmospheres in the internal workspace
- Protection from splashes of hazardous substances
- Protection from flying particles, bodies or parts escaping from the internal workspace
- General fume cupboards constructed in acc. with EN 14175 are normally not suited for use with radioactive substances or microorganisms
- Not suitable for openly breaking down chemicals
- Service outlets in the rear panel of the internal workspace
- Control units located horizontally on the service rail of the support unit
- Suitable for rooms with low ceiling height

Design

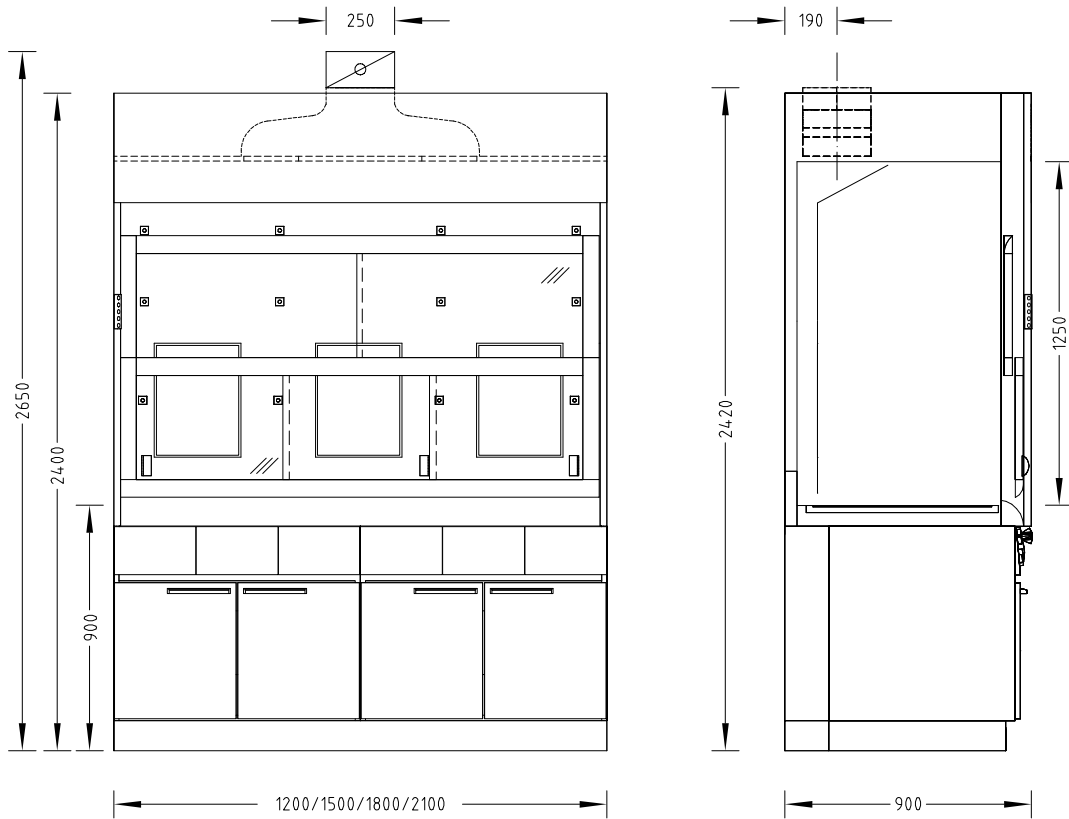


- 1 Two-piece sash with handle and horizontal sashes
- 2 Worktop
- 3 FAZ or AC control panel
- 4 Removable fascia panel
- 5 Extract manifold
- 6 Baffle with service modules
- 7 Glass pane in the side wall
- 8 Material lock
- 9 Self-supporting underbench unit with support and service panels

Bench-mounted fume cupboards

Low ceiling bench-mounted fume cupboard

Dimensional drawing



Technical data

Dimensions	1200	1500	1800	2100
Width [mm]	1200	1500	1800	2100
Depth [mm]	900			
Height [mm]	2400			
Clear width, internal workspace [mm]	1150	1450	1750	2050
Clear height, internal workspace [mm]	1250			
Working height [mm]	900			

Weight	1200	1500	1800	2100
Without installation [kg]	Approx. 220	Approx. 260	Approx. 300	Approx. 350

Design characteristics	1200	1500	1800	2100
Supporting construction	Self-supporting underbench units or H-frame with push-in underbench units			
Two-piece sash	2 horizontal sashes		3 horizontal sashes	
Side panel of the fume cupboard	Glass pane on the left and/or right as an option; not with stoneware internal lining Material lock on the left and/or right as an option; not with stoneware internal lining			
Max. number of devices for scaffold points, \varnothing 12 to 13 mm	9		12	
Service modules	2		3	

Bench-mounted fume cupboards

Low ceiling bench-mounted fume cupboard

Electrics	
Electrical supply	External sockets in service panels Internal sockets in service modules
Fuse box	Optional
Sash controller SC	Optional

Sanitary technology	
Sanitary supply	Service modules with take-off valves for vacuum, gases and/or waters and integrated sink (PP) as an option

Ventilation technology	1200	1500	1800	2100
Minimum air exchange rate [m ³ /h] ¹⁾	480	600	720	840
Function display	FAZ			
Airflow damper, constant	Airflow-Controller AC			
Airflow damper, variable	Airflow-Controller AC			
Detector of sash position	Only variable with Airflow-Controller AC			
Connection height [mm] for FAZ with extract manifold Ø 250 mm	2420			
Connection height [mm] for FAZ with extract manifold Ø 315 mm ²⁾	2530			
Connection height [mm] for AC with extract manifold Ø 250 mm	2650			
Connection height [mm] for AC with extract manifold Ø 315 mm ²⁾	2770			
Underbench exhaust	As an option, depending on requirements and regulations			

¹⁾ All air volume specifications refer to an opening height of the sash window of 500 mm (test opening in acc. with EN 14175) and the maximum tracer gas values recommended by German Standard (BG Chemie). Shown rates correspond to a face velocity of 0.24 m/s. For other design face velocities, please contact your Waldner sales representative.

²⁾ In order to minimise noise and pressure losses, for air volumes >1000 m³/h Waldner recommends using the extract manifold with a connection diameter of 315 mm.

A maximum admission pressure of 600 Pa should not be exceeded in the case of fume cupboards with airflow dampers.

The indicated minimum air exchange rates were determined under specified test conditions in acc. with EN 14175-3. These minimum air exchange rates must be adapted when dimensioning the ventilation system.

If on-site extract air monitoring systems or airflow dampers are used, the required air volumes may be different. The operating limitations must be agreed upon with Waldner.

Material/surface	
Worktop	Stoneware Polypropylene Stainless steel Epoxy
Internal lining	Melamine resin facing Solid grade laminate Stoneware

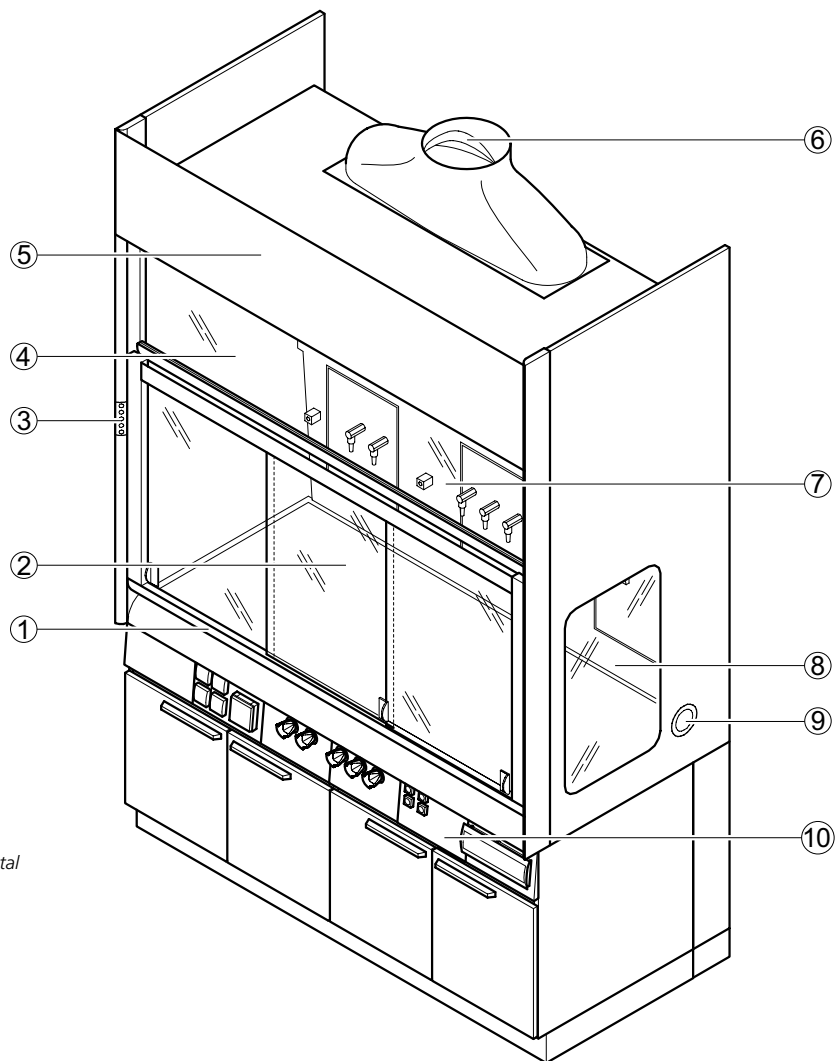
Bench-mounted fume cupboards

Secuflow bench-mounted fume cupboard

Intended use

- Protective device for the user, tested in acc. with EN 14175
- Extraction of fumes, aerosols and dust from the internal workspace to prevent dangerous amounts of pollutants from escaping into the laboratory
- To prevent the formation of dangerous potentially explosive atmospheres in the internal workspace
- Protection from splashes of hazardous substances
- Protection from flying particles, bodies or parts escaping from the internal workspace
- General fume cupboards constructed in acc. with EN 14175 are normally not suited for use with radioactive substances or microorganisms
- Not suitable for openly breaking down chemicals
- Active supportive flow technology (Secuflow technology) reduces the energy consumption while regulations and standards are observed
- Service outlets in the rear panel of the internal workspace
- Control units located horizontally on the service rail of the support unit

Design

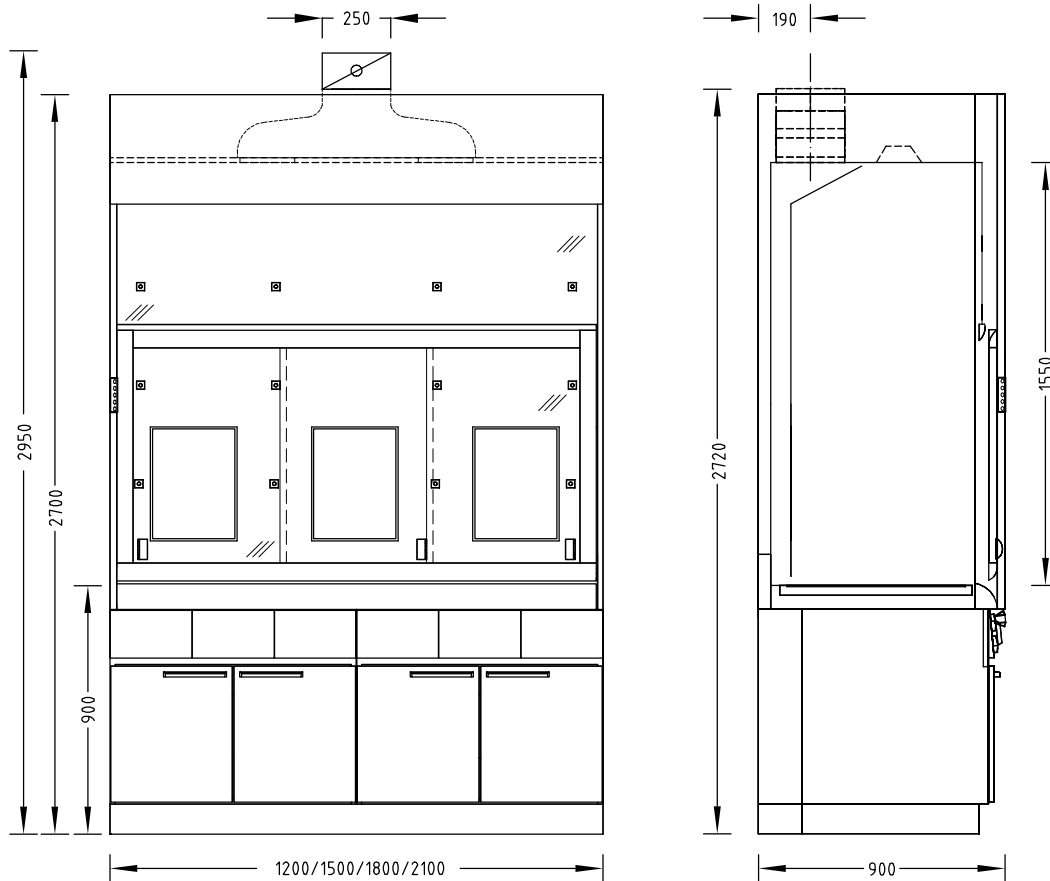


- 1 Sash with handle and horizontal sashes
- 2 Worktop
- 3 FAZ or AC control panel
- 4 Upper sash window
- 5 Removable fascia panel
- 6 Extract manifold
- 7 Baffle with service modules
- 8 Glass pane in the side wall
- 9 Material lock
- 10 Self-supporting underbench unit with support and service panels

Bench-mounted fume cupboards

Secuflow bench-mounted fume cupboard

Dimensional drawing



Technical data

Dimensions	1200	1500	1800	2100
Width [mm]	1200	1500	1800	2100
Depth [mm]	900			
Height [mm]	2700			
Clear width, internal workspace [mm]	1150	1450	1750	2050
Clear height, internal workspace [mm]	1550			
Working height [mm]	900			

Weight	1200	1500	1800	2100
Without installation [kg]	Approx. 250	Approx. 300	Approx. 350	Approx. 400

Bench-mounted fume cupboards

Secuflow bench-mounted fume cupboard

Design characteristics	1200	1500	1800	2100
Supporting construction	Self-supporting underbench units or H-frame with push-in underbench units			
Sash	2 horizontal sashes		3 horizontal sashes	
Side panel of the fume cupboard	Glass pane on the left and/or right as an option; not with stoneware internal lining Material lock on the left and/or right as an option; not with stoneware internal lining			
Max. number of devices for scaffold points, ø 12 mm to 13 mm	9		12	
Service modules	2		3	

Electrics	
Electrical supply	External sockets in service panels Internal sockets in service modules
Fuse box	Optional
Sash controller SC	Optional

Sanitary technology	
Sanitary supply	Service modules with take-off valves for vacuum, gases and/or waters and integrated sink (PP) as an option

Ventilation technology	1200	1500	1800	2100
Minimum air exchange rate [m ³ /h] ¹⁾	330	410	490	570
Function display	FAZ			
Airflow damper, constant	Airflow-Controller AC			
Airflow damper, variable	Airflow-Controller AC			
Detector of sash position	Only variable with Airflow-Controller AC			
Connection height [mm] for FAZ with extract manifold ø 250 mm	2720			
Connection height [mm] for FAZ with extract manifold ø 315 mm ²⁾	2830			
Connection height [mm] for AC with extract manifold ø 250 mm	2950			
Connection height [mm] for AC with extract manifold ø 315 mm ²⁾	3070			
Underbench exhaust	As an option, depending on requirements and regulations			

¹⁾ All air volume specifications refer to an opening height of the sash window of 500 mm (test opening in acc. with EN 14175) and the maximum tracer gas values recommended by German Standard (BG Chemie). Shown rates correspond to a face velocity of 0.15 m/s. For other design face velocities, please contact your Waldner sales representative.

²⁾ In order to minimise noise and pressure losses, for air volumes >1000 m³/h Waldner recommends using the extract manifold with a connection diameter of 315 mm.

A maximum admission pressure of 600 Pa should not be exceeded in the case of fume cupboards with airflow dampers. The indicated minimum air exchange rates were determined under specified test conditions in acc. with EN 14175-3. These minimum air exchange rates must be adapted when dimensioning the ventilation system.

If on-site extract air monitoring systems or airflow dampers are used, the required air volumes may be different. The operating limitations must be agreed upon with Waldner.

Material/surface	
Worktop	Stoneware Polypropylene Stainless steel Epoxy
Internal lining	Melamine resin facing Solid grade laminate Stoneware

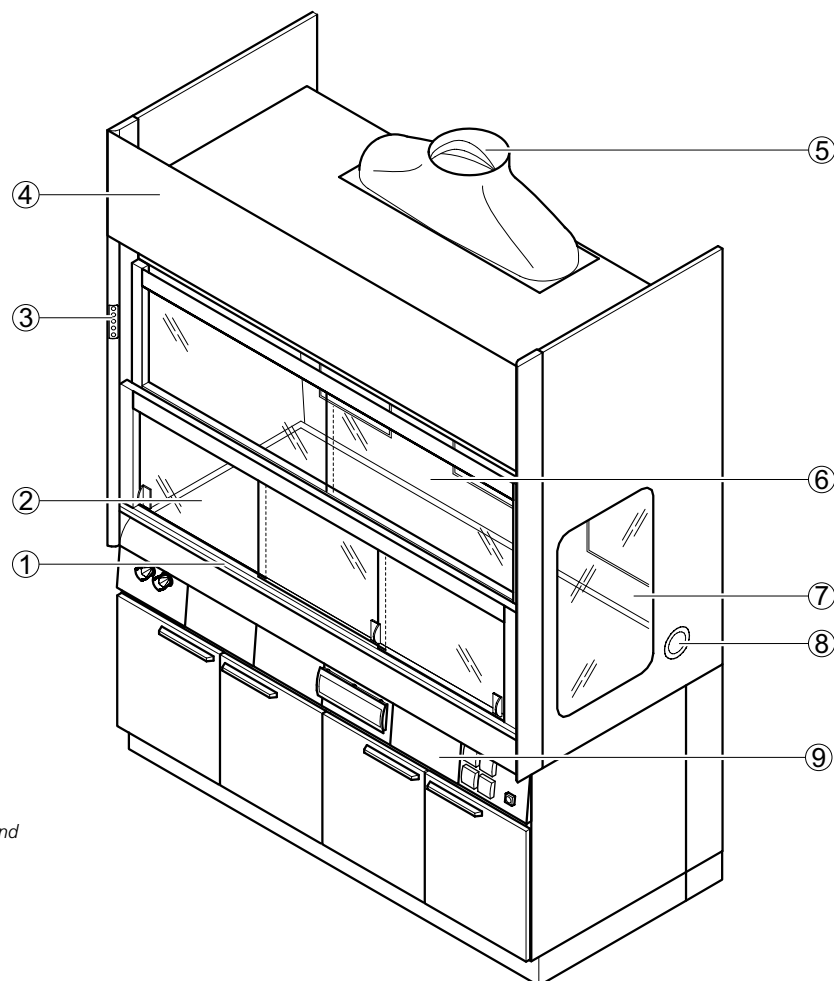
Bench-mounted fume cupboards

Secuflow low ceiling bench-mounted fume cupboard

Intended use

- Protective device for the user, tested in acc. with EN 14175
- Extraction of fumes, aerosols and dust from the internal workspace to prevent dangerous amounts of pollutants from escaping into the laboratory
- To prevent the formation of dangerous potentially explosive atmospheres in the internal workspace
- Protection from splashes of hazardous substances
- Protection from flying particles, bodies or parts escaping from the internal workspace
- General fume cupboards constructed in acc. with EN 14175 are normally not suited for use with radioactive substances or microorganisms
- Not suitable for openly breaking down chemicals
- Active supportive flow technology (Secuflow technology) reduces the energy consumption while regulations and standards are observed
- Service outlets in the rear panel of the internal workspace
- Control units located horizontally on the service rail of the support unit
- Suitable for rooms with low ceiling height

Design

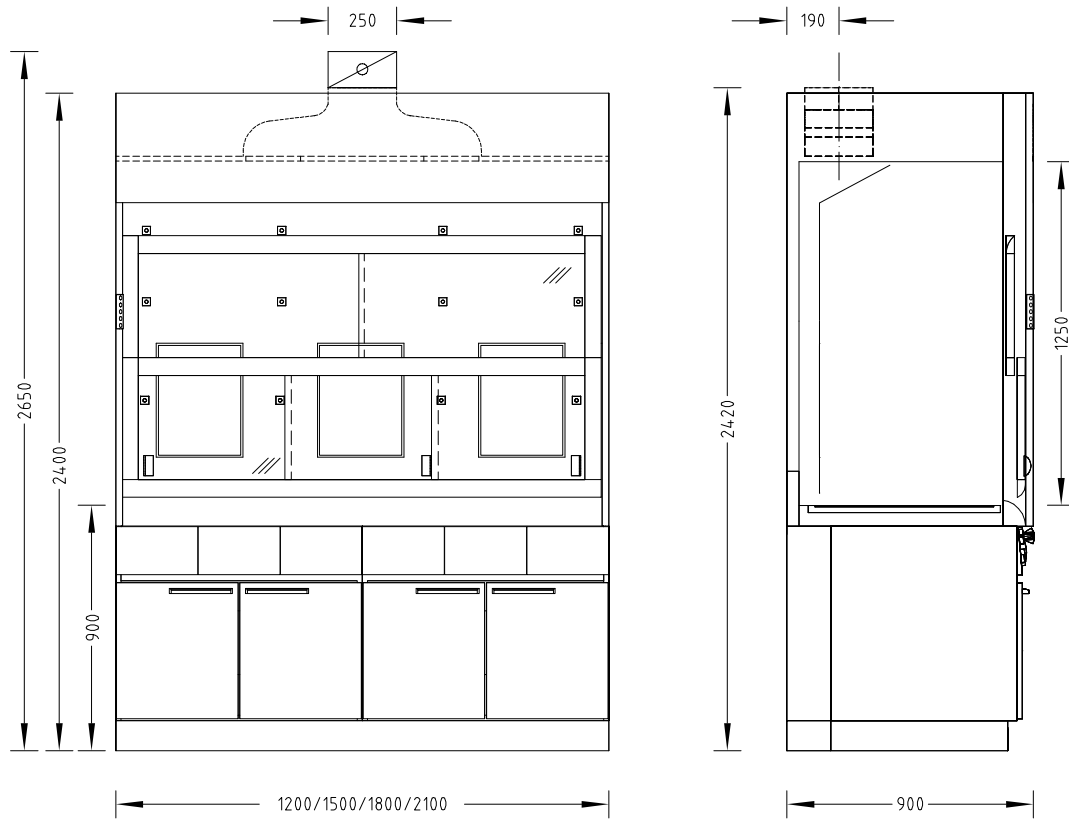


- 1 Two-piece sash with handle and horizontal sashes
- 2 Worktop
- 3 FAZ or AC control panel
- 4 Removable fascia panel
- 5 Extract manifold
- 6 Baffle with service panel
- 7 Glass pane in the side wall
- 8 Material lock
- 9 Self-supporting underbench unit with support and service panels

Bench-mounted fume cupboards

Secuflow low ceiling bench-mounted fume cupboard

Dimensional drawing



Technical data

Dimensions	1200	1500	1800	2100
Width [mm]	1200	1500	1800	2100
Depth [mm]	900			
Height [mm]	2400			
Clear width, internal workspace [mm]	1150	1450	1750	2050
Clear height, internal workspace [mm]	1250			
Working height [mm]	900			

Weight	1200	1500	1800	2100
Without installation [kg]	Approx. 220	Approx. 260	Approx. 300	Approx. 350

Design characteristics	1200	1500	1800	2100
Supporting construction	Self-supporting underbench units or H-frame with push-in underbench units			
Two-piece sash	2 horizontal sashes		3 horizontal sashes	
Side panel of the fume cupboard	Glass pane on the left and/or right as an option; not with stoneware internal lining Material lock on the left and/or right as an option; not with stoneware internal lining			
Max. number of devices for scaffold points, ø 12 to 13 mm	9		12	
Service modules	2		3	

Bench-mounted fume cupboards

Secuflow low ceiling bench-mounted fume cupboard

Electrics	
Electrical supply	External sockets in service panels Internal sockets in service modules
Fuse box	Optional
Sash controller SC	Optional

Sanitary technology	
Sanitary supply	Service modules with take-off valves for vacuum, gases and/or waters and integrated sink (PP) as an option

Ventilation technology	1200	1500	1800	2100
Minimum air exchange rate [m ³ /h] ¹⁾	330	410	490	570
Function display	FAZ			
Airflow damper, constant	Airflow-Controller AC			
Airflow damper, variable	Airflow-Controller AC			
Detector of sash position	Only variable with Airflow-Controller AC			
Connection height [mm] for FAZ with extract manifold Ø 250 mm	2420			
Connection height [mm] for FAZ with extract manifold Ø 315 mm ²⁾	2530			
Connection height [mm] for AC with extract manifold Ø 250 mm	2650			
Connection height [mm] for AC with extract manifold Ø 315 mm ²⁾	2770			
Underbench exhaust	As an option, depending on requirements and regulations			

¹⁾ All air volume specifications refer to an opening height of the sash window of 500 mm (test opening in acc. with EN 14175) and the maximum tracer gas values recommended by German Standard (BG Chemie). Shown rates correspond to a face velocity of 0.15 m/s. For other design face velocities, please contact your Waldner sales representative.

²⁾ In order to minimise noise and pressure losses, for air volumes >1000 m³/h Waldner recommends using the extract manifold with a connection diameter of 315 mm.

A maximum admission pressure of 600 Pa should not be exceeded in the case of fume cupboards with airflow dampers.

The indicated minimum air exchange rates were determined under specified test conditions in acc. with EN 14175-3. These minimum air exchange rates must be adapted when dimensioning the ventilation system.

If on-site extract air monitoring systems or airflow dampers are used, the required air volumes may be different. The operating limitations must be agreed upon with Waldner.

Material/surface	
Worktop	Stoneware Polypropylene Epoxy Stainless steel
Internal lining	Melamine resin facing Solid grade laminate Stoneware