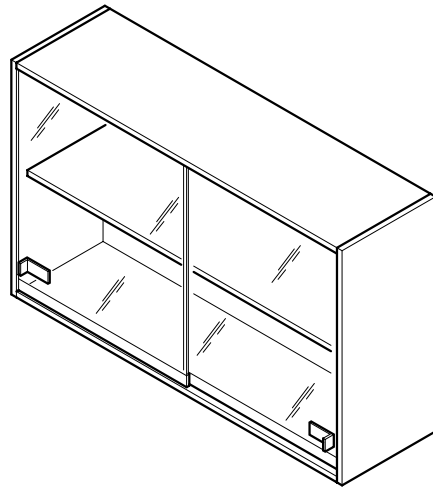


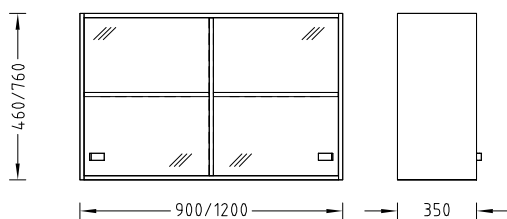
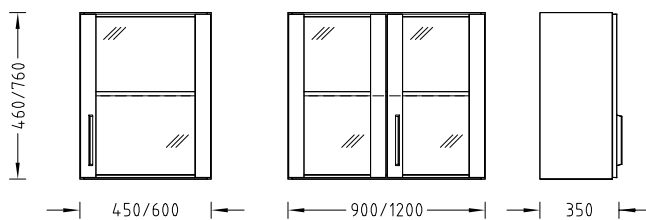
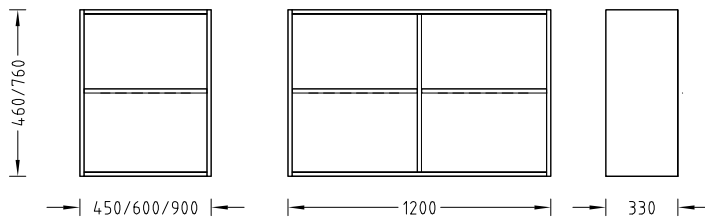
### Intended use

- For storing equipment and chemicals in acc. with EN 14727
- Not permitted for storing flammable liquids, gas cylinders and self-igniting or self-decomposing substances
- Not permitted for storing acids and alkalis

### Design

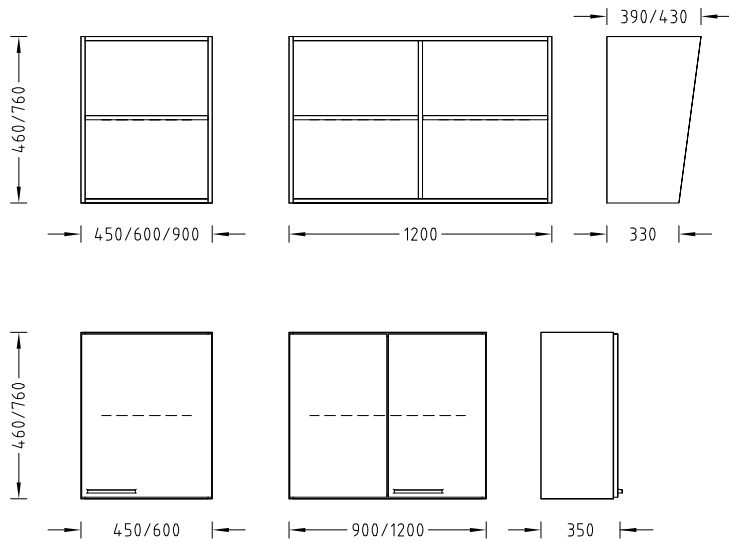


### Variants



## Overbench cabinets

### Overbench cabinet



#### Technical data

Dimensions				
Width [mm]	450	600	900	1200
Depth [mm]	350			
Height [mm]	460 760			

Load bearing capacity	
Per shelf [kg]	30
Load bearing capacity, total [kg]	60

Design characteristics	
Construction	Height-adjustable fitting for fastening to the wall or to the service spine For a width of 1200 mm with central panel Shelf, height-adjustable
Combination possibilities	See variants
Handle	U handle SCALA U handle, stainless steel Glass sliding door with affixed plastic handle
Rack with inclined side walls	Optional
Closing	Optional